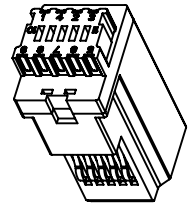
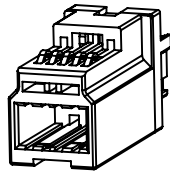
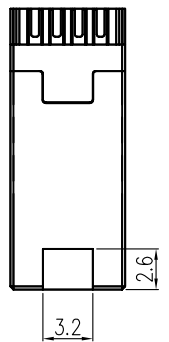
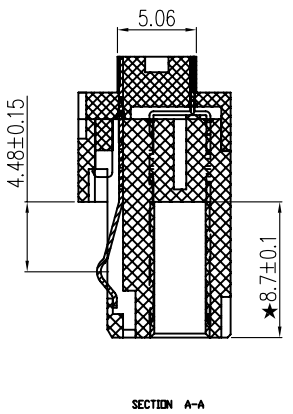
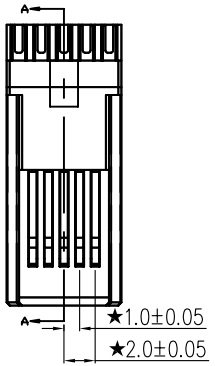
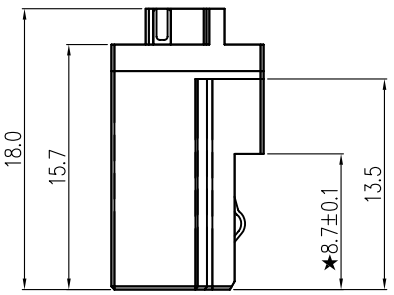
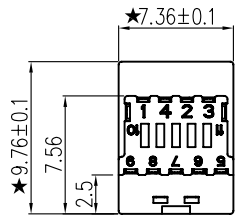


1 2 3 4 5 6

REVISIONS			
REV.	DESCRIPTION	DATE	REVISED BY



备注:

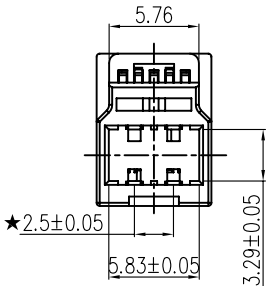
1. 胶芯材质: PBT
2. 端子材质: 4P黄铜, 5P磷铜
3. 端子镀层: Ni: 60U"Min
Au: G/F (3U" 5U" 10U" 15U" 30U")
Sn: 60U"Min
4. 带★的为重点检验尺寸

料号设变:

USB3-B00603XPXX

- B: 胶芯颜色为蓝色
- H: 胶芯颜色为黑色
- W: 胶芯颜色为白色

- 03: 端子镀金3U"
- 05: 端子镀金5U"
- 10: 端子镀金10U"
- 15: 端子镀金15U"
- 30: 端子镀金30U"



EBE
EBE TECHNOLOGY (HK) LIMITED

GENERAL TOLERANCE		Description	USB3.0 B公 胶芯组		Third Angle Projection
X.	±0.20	X°	±2°	Customer Name	Drawing By 王超
X.X	±0.15	X.X°	±1°	Customer No.	Designed By
X.XX	±0.13	X.XX°	±0.5°	Produce No.	Approved By 许代略
Date		2011.05.15	Scale	FIT	
				Units	<input checked="" type="checkbox"/> MM <input type="checkbox"/> Inch
				REV	A/0

1 2 3 4 5 6

1 2 3 4 5 6

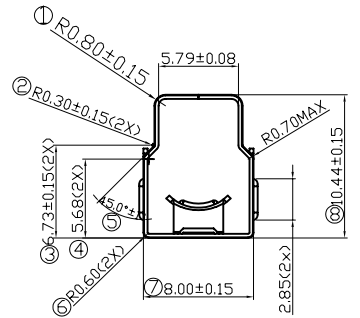
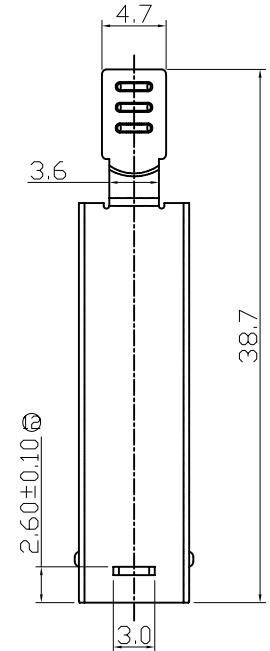
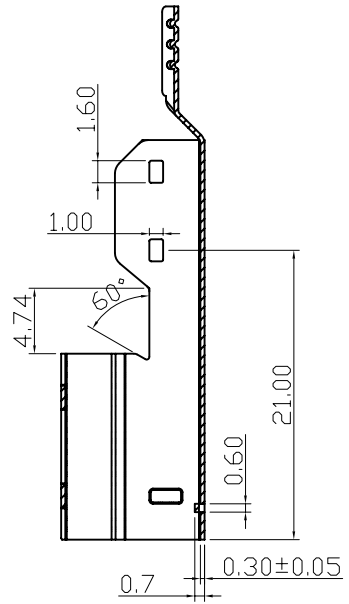
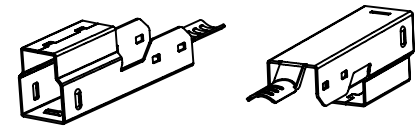
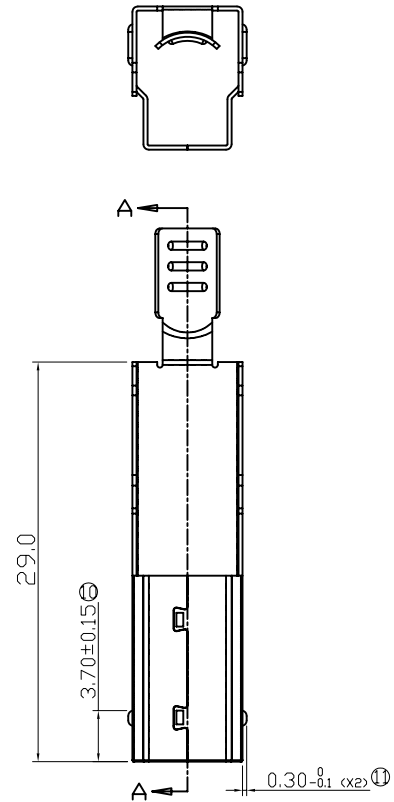
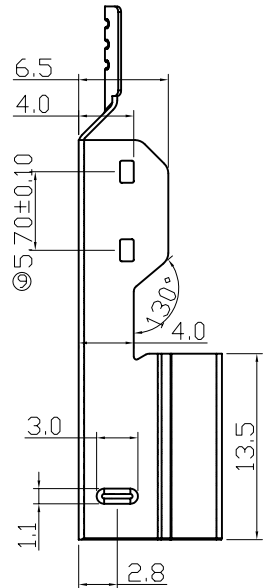
REVISIONS			
REV.	DESCRIPTION	DATE	REVISED BY

A A

B B

C C

D D



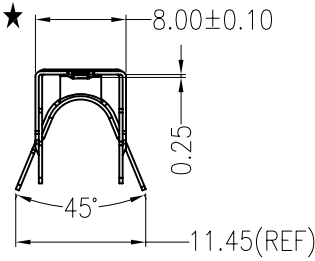
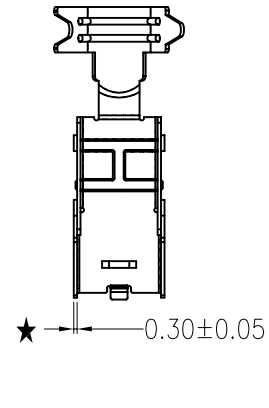
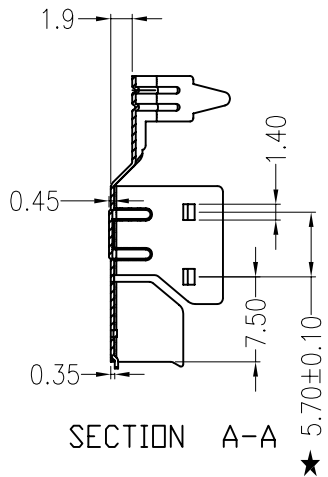
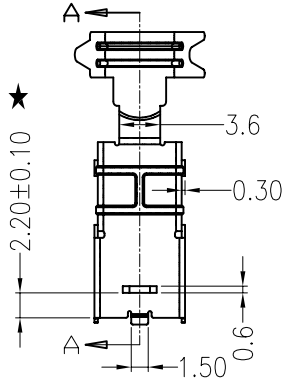
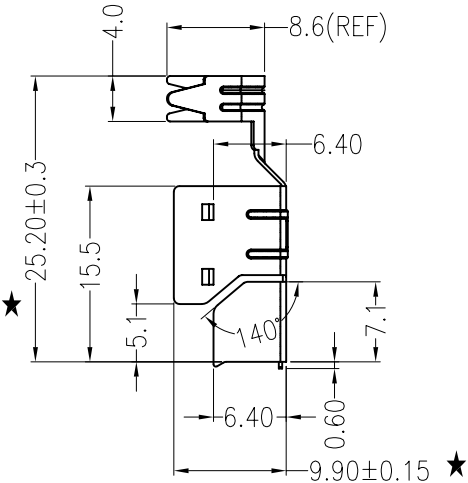
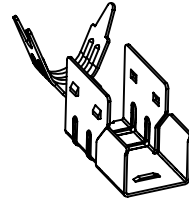
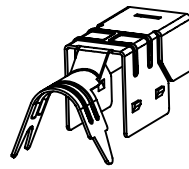
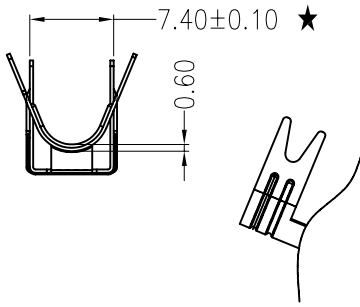
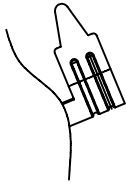
- 备注:
1. 材质: SPCC T=0.30±0.02
 2. 毛边: 0.02 MAX
 3. 有序号为重点尺寸
 4. 表面不能有压伤 模痕 毛刺 变形 拉裂等不良

EBE
EBE TECHNOLOGY(HK) LIMITED

GENERAL TOLERANCE		Description	USB3.0 BM 主体铁壳(新款)		Third Angle Projection	
X. ±0.20	X° ±2°	Customer Name	Drawing By	王超		
X.X ±0.10	X.X° ±1°	Customer No.	Designed By			
X.XX ±0.05	X.XX° ±0.5°	Produce No.	Approved By	许代略		Units <input type="checkbox"/> MM <input type="checkbox"/> Inch
		Date	Scale	FIT		

1 2 3 4 5 6

REVISIONS			
REV.	DESCRIPTION	DATE	REVISED BY



备注:
 1. 材质: SPCC T=0.3±0.02
 2. 外观: 表面不能有毛刺 变形 模痕 拉裂 压伤等不良
 3. 代★号处为重点尺寸

GENERAL TOLERANCE		Description	USB3.0 BM 后盖(新款)		Third Angle Projection	
X.	±0.20	X°	±2°	Customer Name	Drawing By	王超
X.X	±0.15	X.X°	±1°	Customer No.	Designed By	
X.XX	±0.13	X.XX°	±0.5°	Produce No.	Approved By	许代略
				Date	Scale	FIT
				2011.03.05		
				Units	■MM	REV
				□Inch		A/0

EBE
 EBE TECHNOLOGY(HK) LIMITED